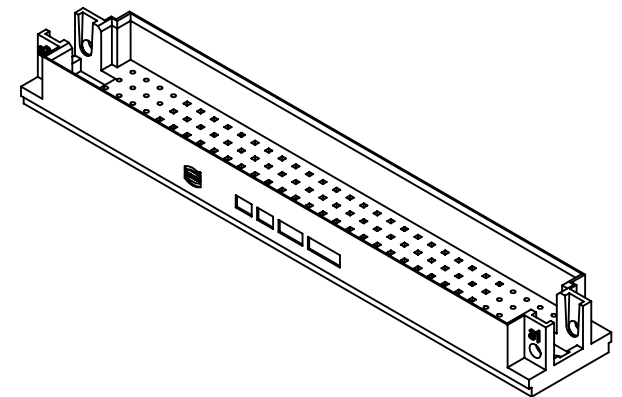
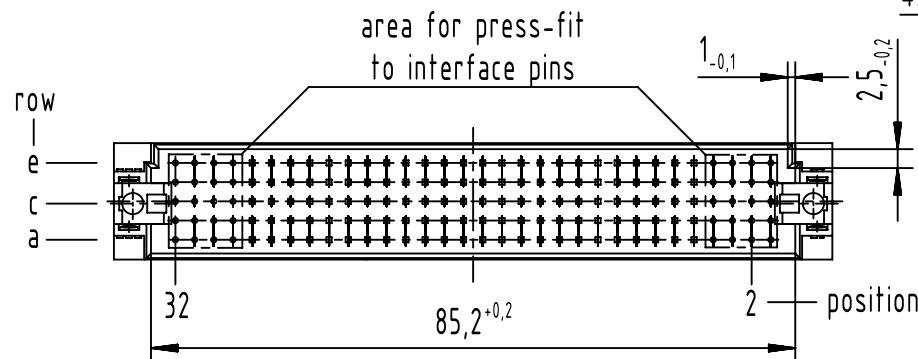
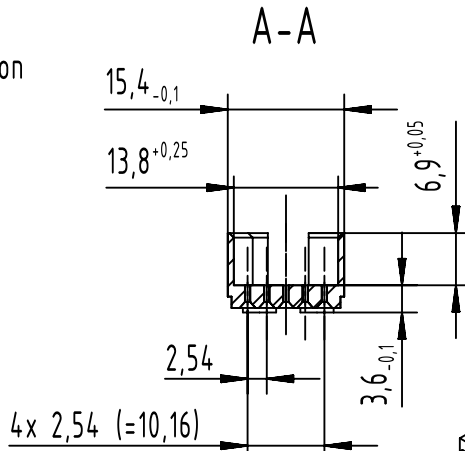
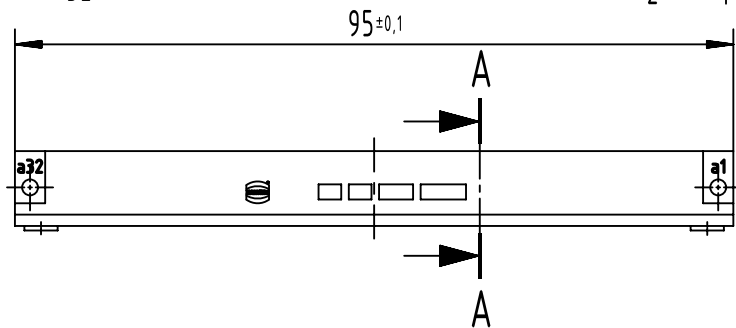
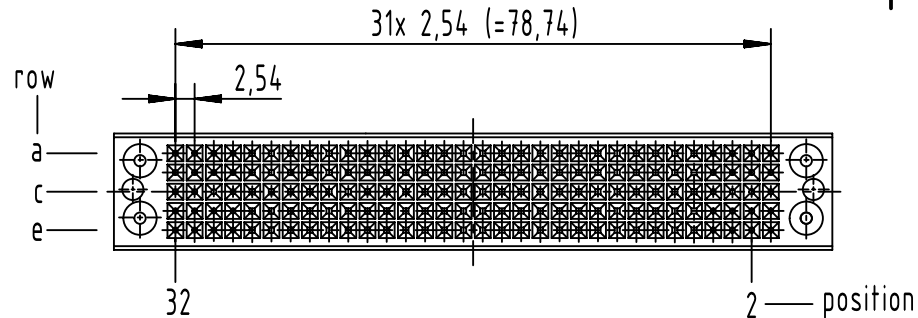



1 2 3 4 5 6



	All rights reserved Department EL PD	All Dimensions in mm Original Size DIN A4	Scale 1:1	Free size tol. complementary IEC 60603-2	Ref. Sub.
		HARTING D-32339 Espelkamp	Created by STORCK	Inspected by ZWAHR	Standardisation SAP_WFRT
Title DIN Power type E shroud for PCB 2.5-3.0					Doc-Key / ECM-Nr. 100072407/UGD/003/C 500000227641
			Type TB	Number 09050009914	Rev. C Page 1/1