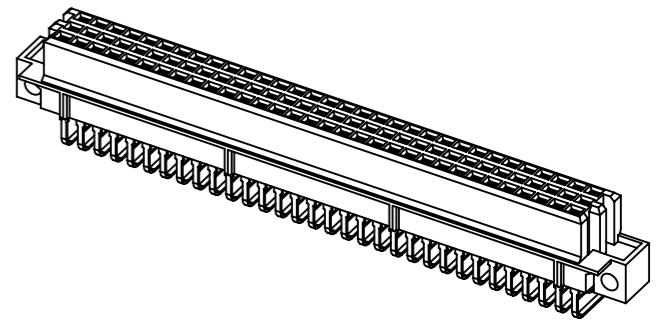


**A**  
board drillings

**B**  
contact arrangement

96 signal contacts  
 ☒ = position with contact  
 □ = position without contact

**C (2:1)**



09 73 296 7801	3
09 73 296 6801	2
09 73 296 2801	1
<b>part no.</b>	<b>performance level</b>

further information see product data sheet

	All Dimensions in mm Original Size DIN A3		Scale 1:1	Free size tol. IEC 60603-2		Ref. Sub.
	All rights reserved Department EL PD		Created by STORCK	Inspected by LEHNERT	Standardisation 302077	Date 2021-06-02
HARTING D-32339 Espelkamp		Title DIN Signal type R female solder angled 96-pole			Doc-Key / ECM-Nr. 100104712/UGD/067/C 500000195862	
		Type TB	Number 0973296X801		Rev. C	Page 1/1