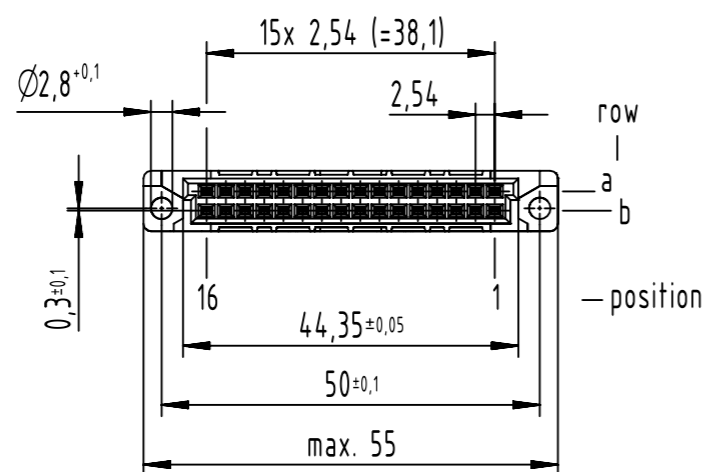
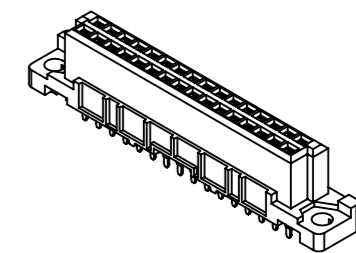
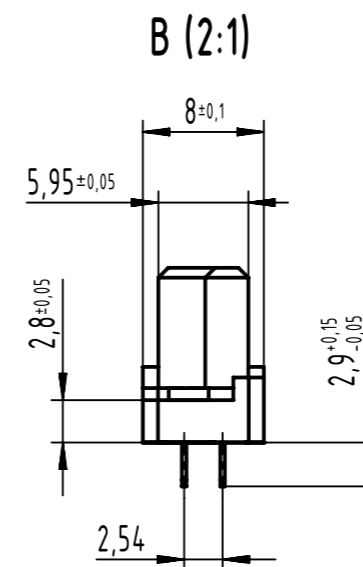
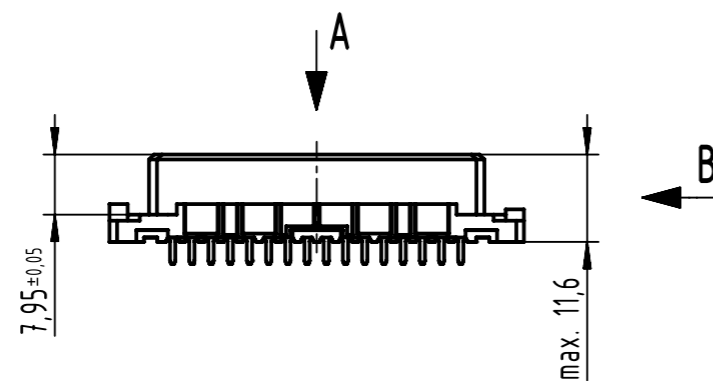


32 solder contacts

⊗ = solder contact

□ = position without contact



09 22 232 6824	2
09 22 232 2824	1
part no.	performance level

further information see product data sheet

	All rights reserved	Created by STORCK	Inspected by LEHNERT	Standardisation 302077	Date 2021-06-28	State Final Release	Ref. Sub. TB 09 22 232 x824 / Mod. 36416 / 15.07.2011
	Department EL PD	Title DIN Signal type 2B female solder straight 2.9 32-pole				Doc-Key / ECM-Nr. 100111900/UGD/015/C 500000196815	
HARTING D-32339 Espelkamp	Type TB	Number 0922232X824			Rev. C	Page 1/1	