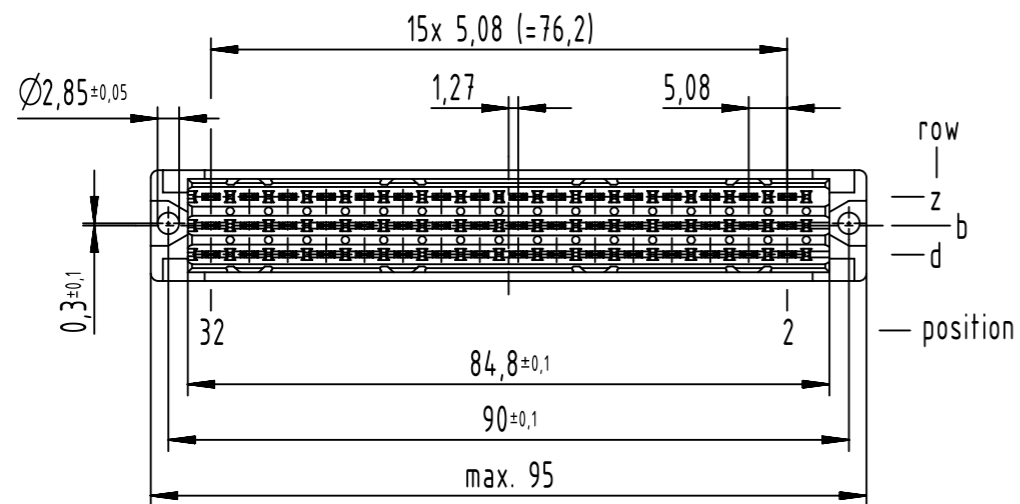
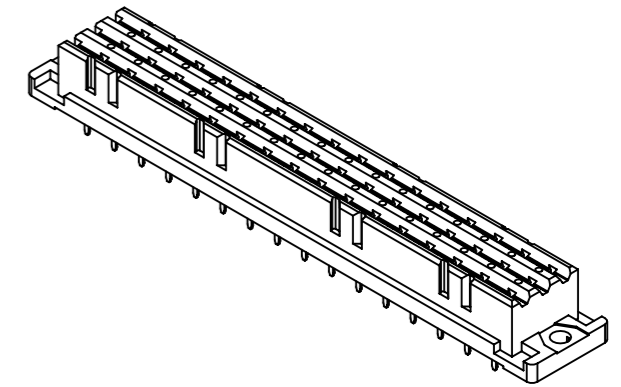
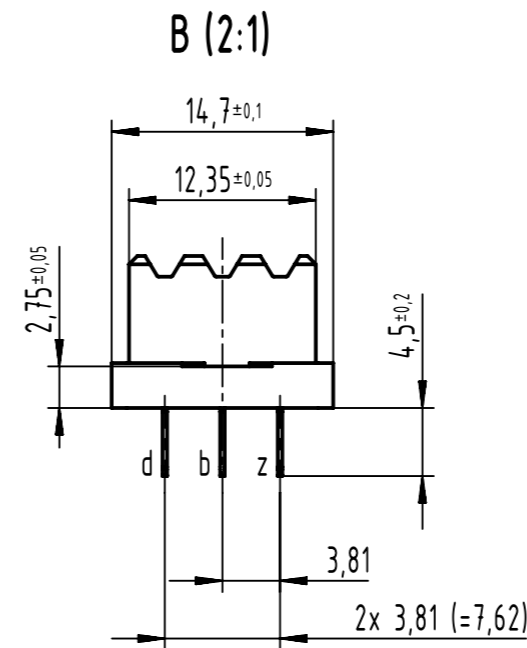
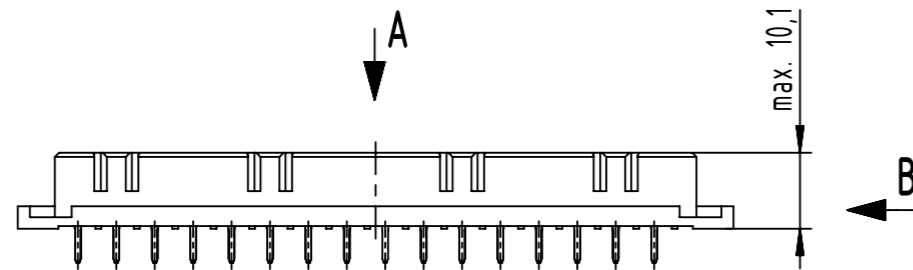


48 solder contacts
 ☒ = position with contact
 □ = position without contact



further information see product data sheet

09 06 248 6834	2
09 06 248 2834	1
part no.	performance level

	All Dimensions in mm Original Size DIN A3	Scale 1:1	Free size tol. complementary IEC 60603-2	Ref.
	All rights reserved Department EL PD	Created by STORCK	Inspected by LEHNERT	Standardisation 302077
HARTING D-32339 Espelkamp	Title DIN Power type F low-profile female solder 4.5 48-pole			Date 2021-05-14
Type TB		Number 0906248X834		State Final Release
				Doc-Key / ECM-Nr. 100205271/UGD/024/C 500000194417
				Rev. C
				Page 1/1