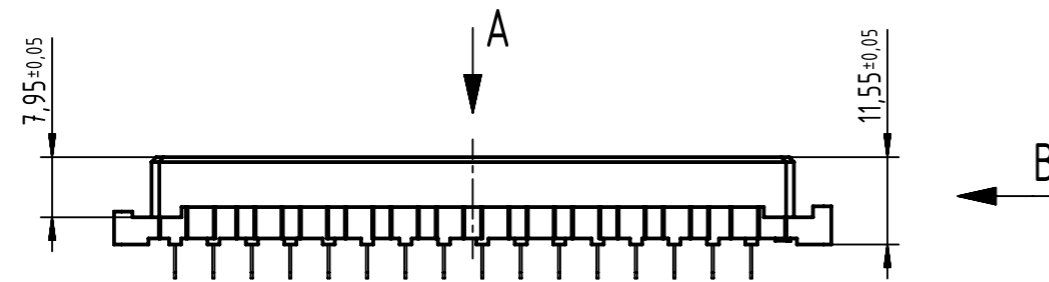
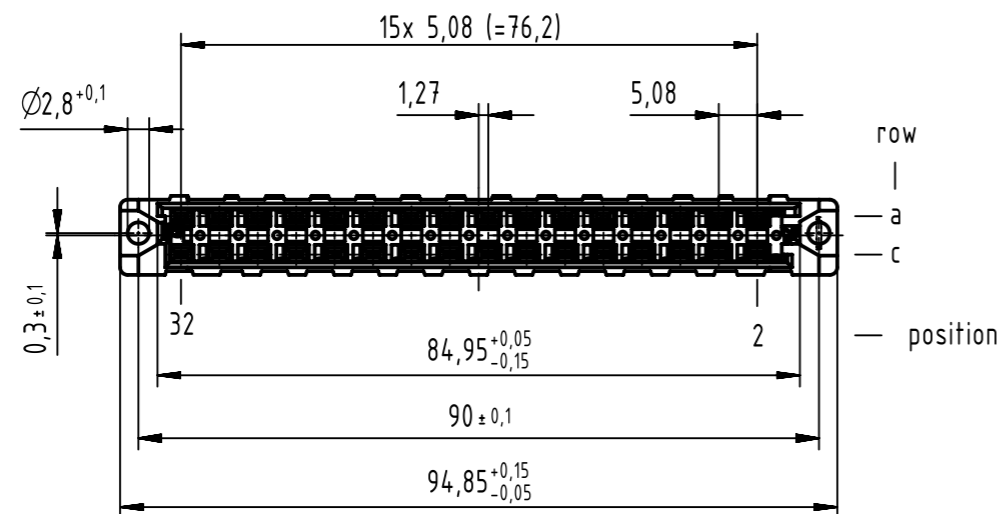
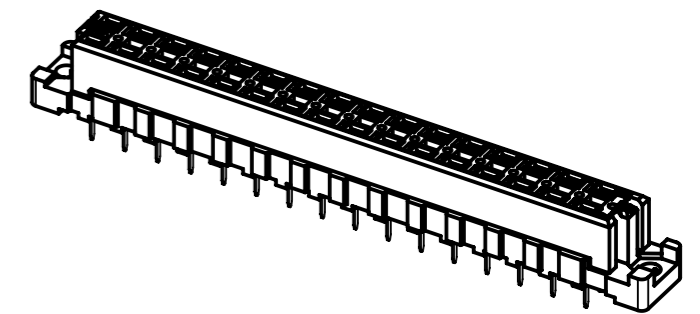
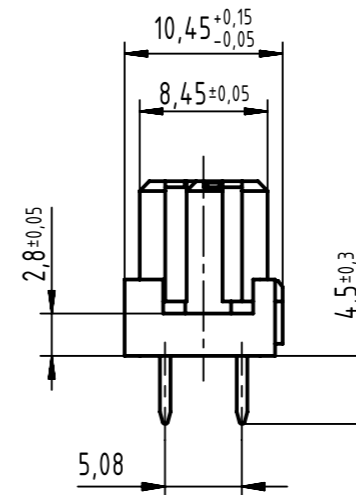


32 solder contacts
 ☒ = position with contact
 □ = position without contact



B (2:1)



1 further information see: DS 09042100001

09 04 232 7831	3
09 04 232 6831	2
09 04 232 2831	1
part-no	performance level 1

	All Dimensions in mm Original Size DIN A3	Scale 1:1	Free size tol. IEC 60603-2	Ref. Sub. TB 0904232x831 Mod. 36455 24.11.11		
	All rights reserved Department EL PD	Created by LEHNERT	Inspected by DAHMS	Standardisation HOFFMANN	Date 2018-06-27	State Final Release
HARTING Electronics GmbH D-32339 Espelkamp		Title DIN Power type D female solder 4.5 32-pole			Doc-Key / ECM-Nr. 100217573/UGD/009/C 500000131805	
		Type TB	Number 0904232X831		Rev. C	Page 1/1