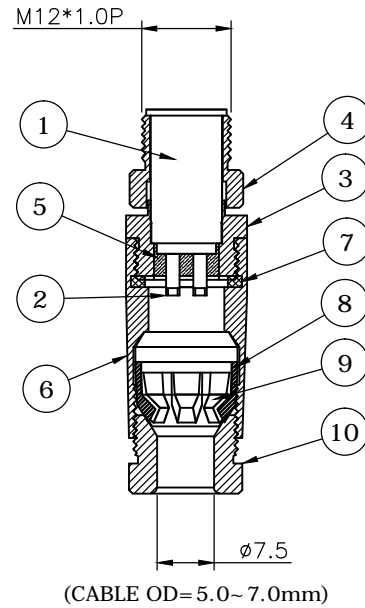
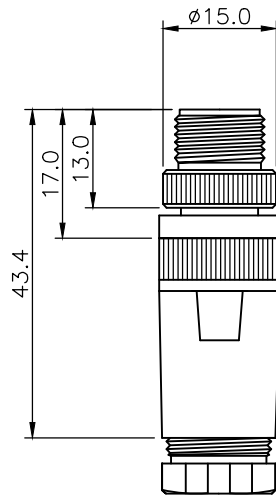
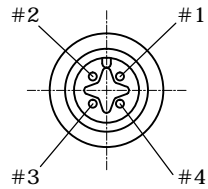



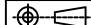
REV.	DESCRIPTION	DRAWN	DATE
1	INITIAL RELEASE	TIM	2019/04/01
2	ECR220421001	TIM	2022/04/21

SPECIFICATION:

1. Current Rating: 4A
2. Voltage Rating: 250V
3. Waterproof: IPX7
4. Operating temperature range: -40°C~+85°C



NO.	PART NAME	DESCRIPTION
10	GLAND NUT	Aluminum alloy, sating nickel plated
9	GLAND CAGE	POM, black
8	GLAND	SILICONE, black
7	O-RING	SILICONE, black
6	BODY	Aluminum alloy, sating nickel plated
5	EPOXY	EP400A&B, black
4	NUT	Aluminum alloy, sating nickel plated
3	SHELL	Aluminum alloy, sating nickel plated
2	CONTACT	Brass, gold flash plating over Nickel
1	HOUSING	PBT, UL94V-0, Black

UNLESS OTHERWISE SPECIFIED TOLERANCE				 WWW.ATTEND.COM.TW	
UNIT:	DECIMAL	LINEAR	ANGLES		
mm	X.	±0.50	±5°		
	X.X	±0.25	±3°		
	X.XX	±0.12	±1°		
DRAWN	Fros	2019/04/01	DRAWN NAME:		
CHECKED	Tim	2019/04/01	M12 A- Code Plug for Cable 4 Pin Male For Field Installable		
APPROVED	Ken	2019/04/01	PRODUCT NO.	216A-04MFO	
	SCALE	SHEET	SIZE	FILE NAME	216A-04MFO_B_2
	1/1	1/1	A4		