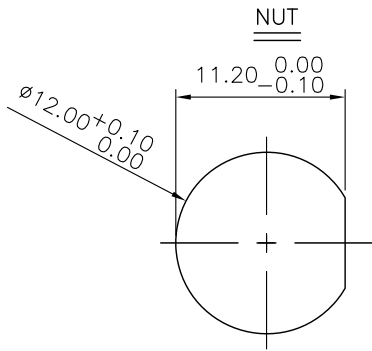
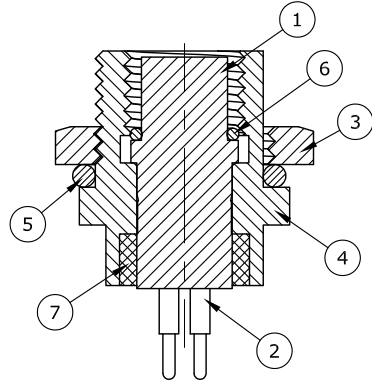
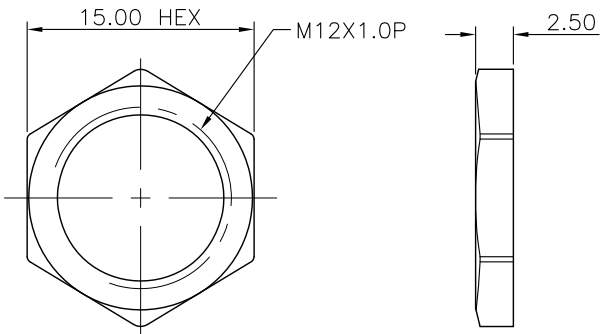
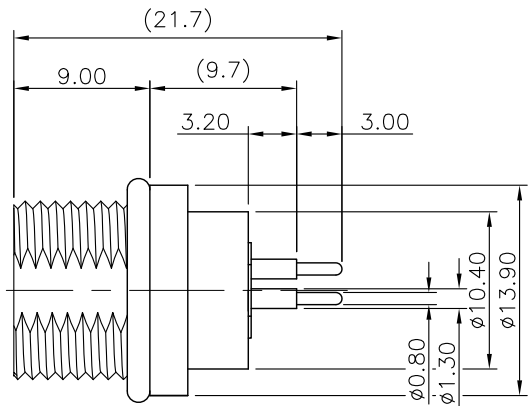
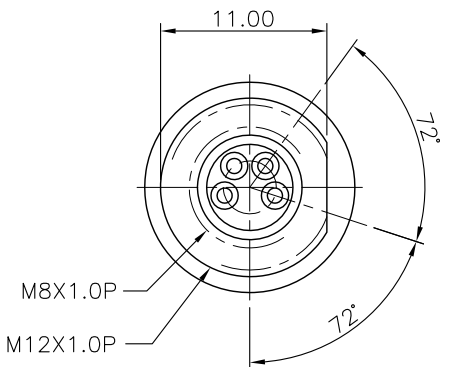


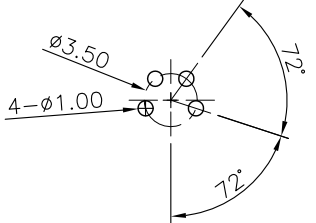
REV.	DESCRIPTION	DRAWN	DATE
1	INITIAL RELEASE	TIM	2016/08/19
2	ECR220421002	Fros	2022/04/21

SPECIFICATION:

1. CURRENT RATING: 3A
2. VOLTAGE: 50VAC/60VDC
3. WATER PROOF: IPX7
4. OPERATION TEMPERATURE: -40°C TO +85°C



RECOMMEND PANEL CUT OUT



RECOMMEND LAYOUT

7	EPOXY BASE	
6	O-RING	EPDM,BLACK
5	O-RING	NBR,BLACK
4	SHELL	BRASS, NICKEL PLATED
3	NUT	BRASS, NICKEL PLATED
2	CONTACT	BRASS,10u" GOLD PLATED UNDER NICKEL
1	HOUSING	PBT, UL94V-0, BLACK
NO	PART NAME	DESCRIPTION

UNLESS OTHERWISE SPECIFIED TOLERANCE			
UNIT:	DECIMAL	LINEAR	ANGLES
mm	X.	±0.50	±5°
	X.X	±0.25	±3°
	X.XX	±0.12	±1°



WWW.ATTEND.COM.TW

DRAWN	Tim	2016/08/19	DRAWN NAME:	
CHECKED	Fros	2016/08/19	M8 A-Code Receptacle, 4Pin Female Straight PCB Type Front Fastened	
APPROVED	Ken	2016/08/19	PRODUCT NO.	219A-04FSF
SCALE	2/1	SHEET	1/1	SIZE
			FILE NAME	219A-04FSF_B_2