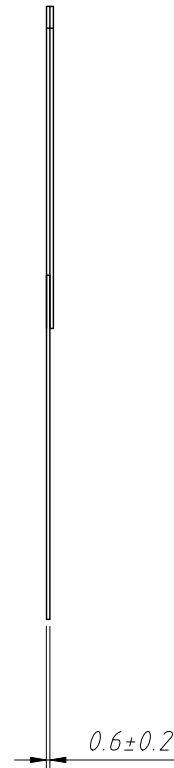
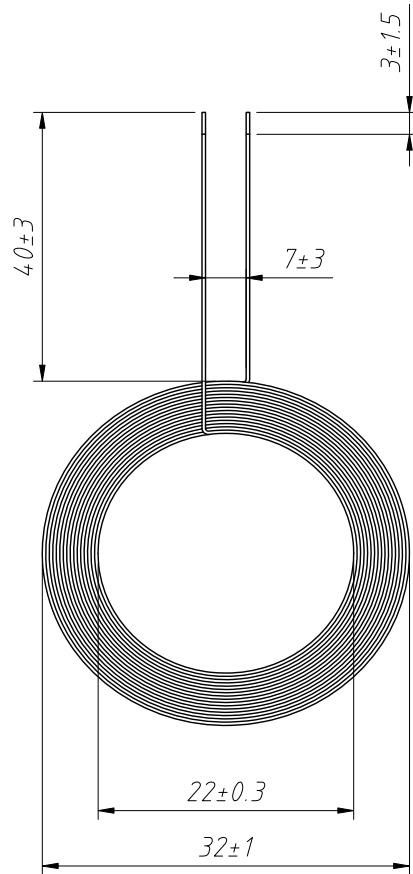


RoHS Compliance



Wire Rod: 0.08x24P
 Resistance: 160mΩ Max At 25°C
 Number Of Turns: 9TS
 Inductance: 3.7UH±10%(120KHZ/1V)
 The Coil Should Not Be Deformed,
 Loose, Broken, Or Dirty.

ANGLE TOLERANCE	PROJECTION		Description:	
±3°			Inductance 120KHz/1V	
GENERAL TOLERANCE	UNITS	mm	KLS P/N:	L-KLS18-ALB-32x0.08x24P-3.7uh
x.x ±0.30	SHEET SIZE	A4	XX	NingBo KLS ELECTRONIC CO.,LTD.
x.xx ±0.20	Draw:	Daniel	2023-05-25	
x.xxx ±0.10	Check:	Daniel	2023-05-25	