

1
RoHS Compliance

2

3

4

5

6

7

8

A

A

B

B

C

C

D

D

E

E

F

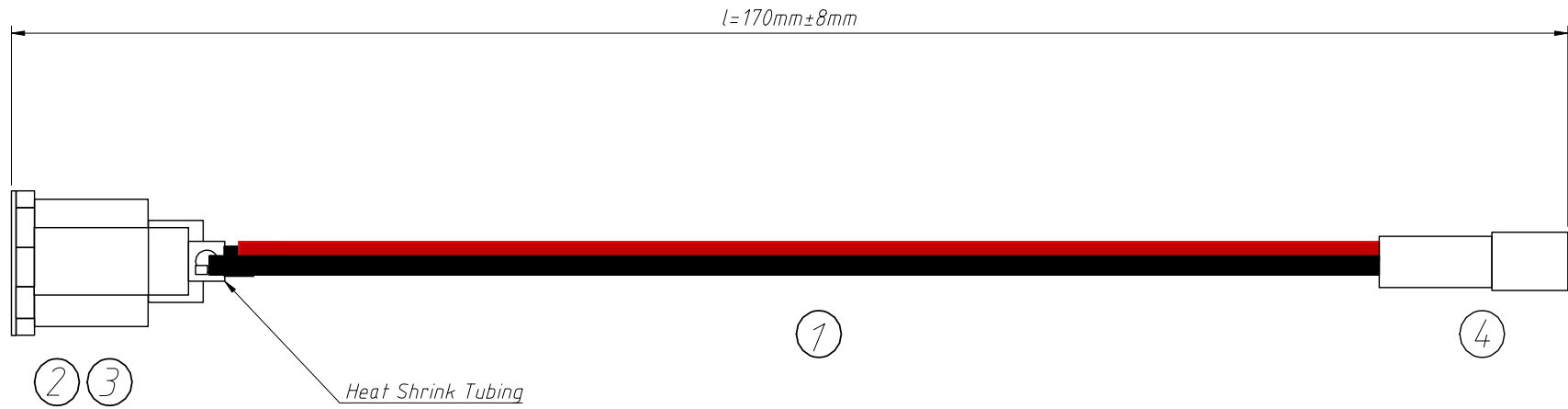
F

G

G

H

H



Notes:

1.Material:

Wire:UL3239-22AWG 12/0.18TS OD:1.76MM,Silicone Wire

Metal:Waterproof Female Base

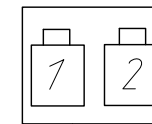
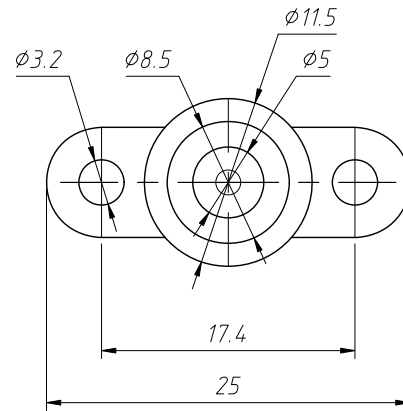
Bushing:Welding Red+,Black-(Heat Shrink Tubing)

Terminal:JST-2P Male Shell (Imitation)

2.Electrical Performance:Conduct 100% Electrical Continuity

Test On The Finished Product, And There Should Be No Short Circuit, Misalignment, Or Poor Contact

3.Appearance: The Wire Color Is Uniform, And The Surface Of The Sheath Is Free From Defects Such As Damage, Scratches, Dirt, Deformation, Etc



Insert End Face

1:Black
2:Red

ANGLE TOLERANCE	PROJECTION	Description:	Waterproof Base To Terminal	
±3°				
GENERAL TOLERANCE	UNITS	mm	KLS P/N:	CAB05-MI365-L550
x.x ±0.30	SHEET SIZE	A4	xx	
x.xx ±0.20	Draw:	Daniel	2023-05-11	NingBo KLS ELECTRONIC CO.,L TD.
x.xxx ±0.10	Check:	Daniel	2023-05-11	

1

2

3

4

5

6

7

8