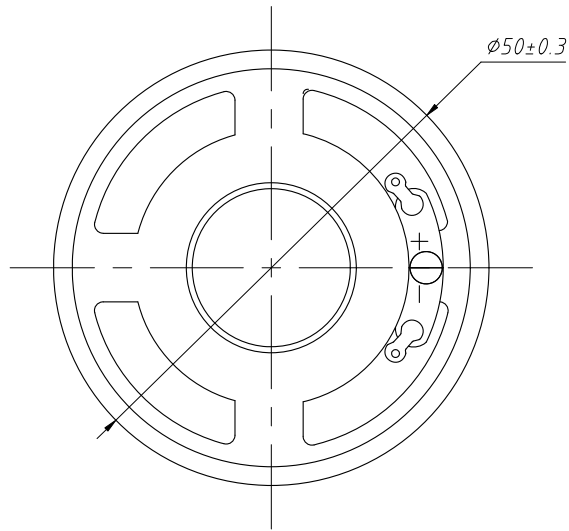
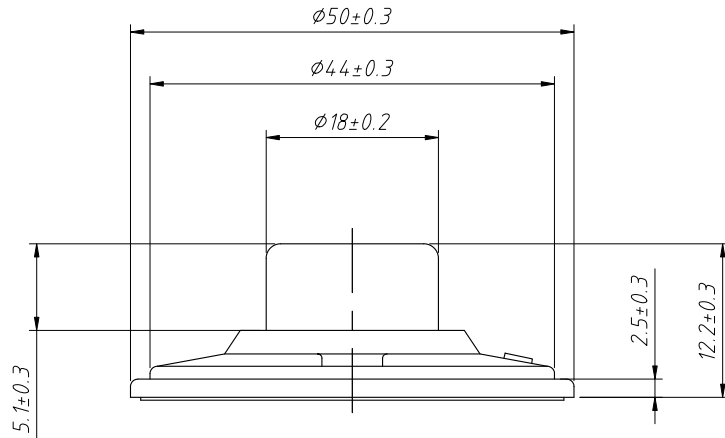


1  
RoHS Compliance



Notes:  
Material:iron  
Plating:Blue White Zinc  
Impedance:50Ω  
Rated Power:0.5W



ANGLE TOLERANCE	PROJECTION		Description:	Horn
±3°				∅50x∅18xH12
GENERAL TOLERANCE	UNITS	mm	KLS P/N:	L-KLS1-YS01B-50MM-50R0.5W
x.x ±0.30	SHEET SIZE	A4	xx	NingBo KLS ELECTRONIC CO.,L TD.
x.xx ±0.20	Draw:	Daniel	2023-04-18	
x.xxx ±0.10	Check:	Daniel	2023-04-18	