

1  
RoHS Compliance

2

3

4

5

6

7

8

A

B

C

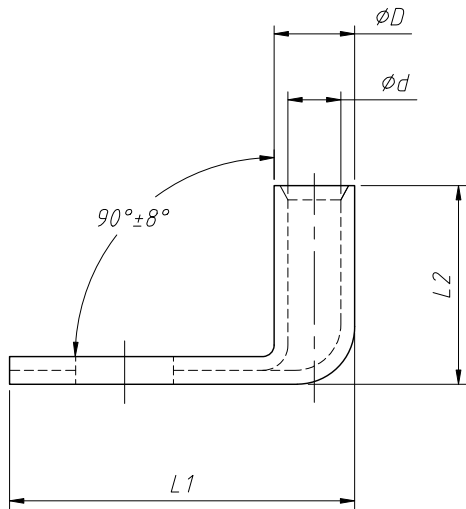
D

E

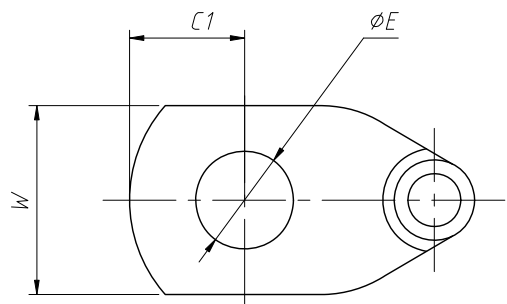
F

G

H



Notes:  
Material: T2, Tin Plating  
After Electroplating, The Surface Shall Be  
Free Of Color Spots And Water Marks



$\phi E$	$\phi D$	$\phi d$	W	L2	L1	C1
$\pm 0.2$	$\pm 0.3$	$\pm 0.3$	$\pm 0.8$	$\pm 1.0$	$\pm 1.0$	$\pm 0.8$
8.4	14.0	10.0	20.0	28.5	40.5	11.6

ANGLE TOLERANCE		PROJECTION		Description:	
$\pm 3^{\circ}$				Copper Connection Terminal	
GENERAL TOLERANCE		UNITS	mm	KLS P/N:	L-KLS8-01107R-GP50-8
x.x	$\pm 0.30$	SHEET SIZE	A4	XX	NingBo KLS ELECTRONIC CO.,L TD.
x.xx	$\pm 0.20$	Draw:	Daniel	2023-03-27	
x.xxx	$\pm 0.10$	Check:	Daniel	2023-03-27	

1

2

3

4

5

6

7

8

A

B

C

D

E

F

G

H