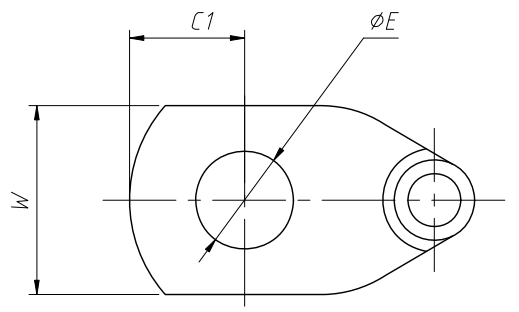
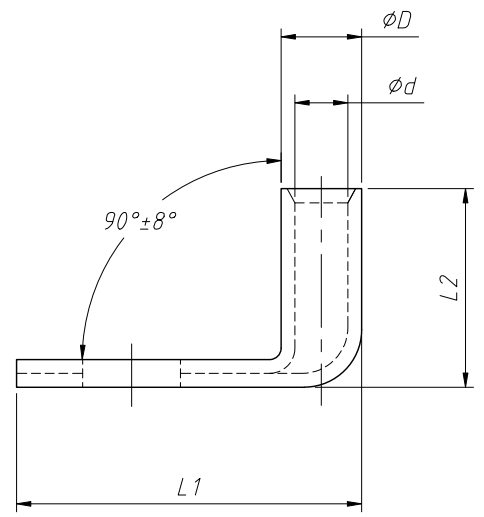


1
RoHS Compliance



Notes:
Material: T2, Tin Plating
After Electroplating, The Surface Shall Be
Free Of Color Spots And Water Marks

ϕE	ϕD	ϕd	W	L2	L1	C1
± 0.2	± 0.2	± 0.2	± 0.6	± 1.0	± 1.0	± 0.6
8.4	8.5	5.5	15.0	20.0	28.0	8.0

ANGLE TOLERANCE	PROJECTION	Description:	Copper Connection Terminal			
$\pm 3^{\circ}$						
GENERAL TOLERANCE	UNITS	mm	KLS P/N:	L-KLS8-01107R-GP16-8		
x.x ± 0.30	SHEET SIZE	A4	XX	NingBo KLS ELECTRONIC CO.,L TD.		
x.xx ± 0.20	Draw:	Daniel	2023-03-27			
x.xxx ± 0.10	Check:	Daniel	2023-03-27			