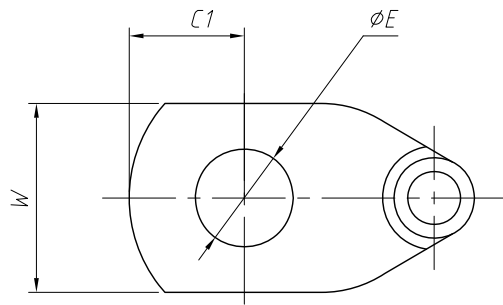
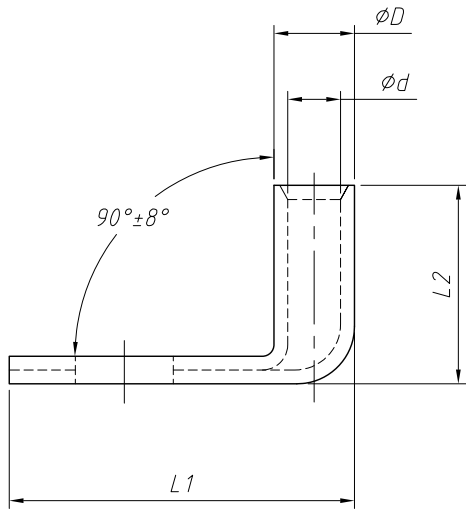


1  
RoHS Compliance



Notes:  
Material: T2, Tin Plating  
After Electroplating, The Surface Shall Be  
Free Of Color Spots And Water Marks

$\phi E$	$\phi D$	$\phi d$	W	L2	L1	C1
$\pm 0.2$	$\pm 0.3$	$\pm 0.3$	$\pm 0.8$	$\pm 1.0$	$\pm 1.0$	$\pm 0.8$
10.5	14.0	10.0	20.0	28.5	40.5	11.9

ANGLE TOLERANCE	PROJECTION	Description:	Copper Connection Terminal			
$\pm 3^{\circ}$						
GENERAL TOLERANCE	UNITS	mm	KLS P/N:	L-KLS8-01107R-GP50-10		
x.x $\pm 0.30$	SHEET SIZE	A4	XX	NingBo KLS ELECTRONIC CO.,L TD.		
x.xx $\pm 0.20$	Draw:	Daniel	2023-03-30			
x.xxx $\pm 0.10$	Check:	Daniel	2023-03-30			