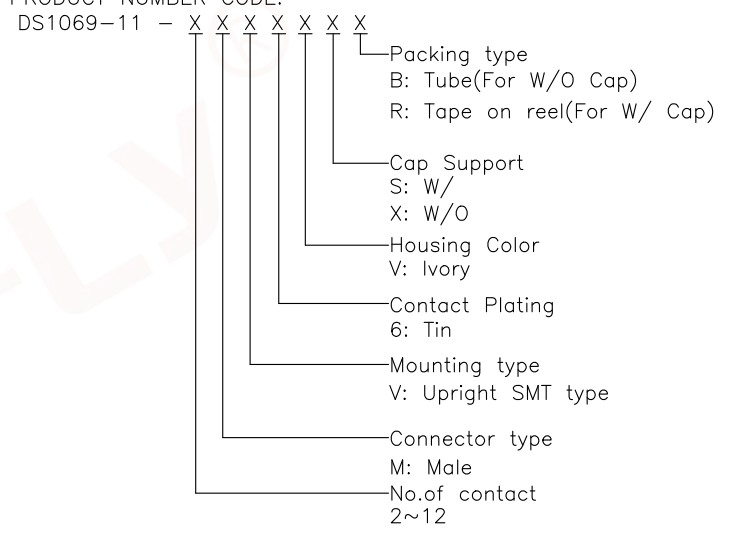


REV.	DESCRIPTION	DRAWN	CHECKED	APPROVED
A	NEW RELEASE	JLZ 03/06/17'		

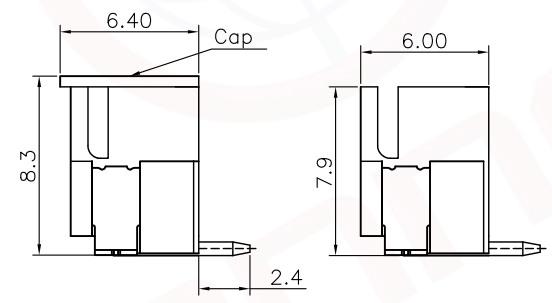
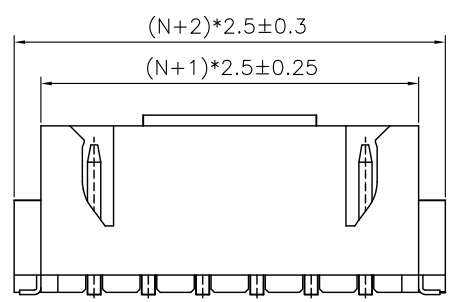
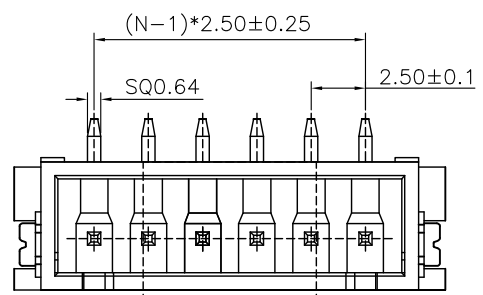
NOTES:

- MAIN SPECIFICATIONS
 - Housing material: LCP
 - Contact material: Copper Alloy
 - Rated voltage: 250V
 - Rated current: 3A
 - Contact resistance: $\leq 30\text{m}\Omega$
 - Insulation resistance: $\geq 1000\text{M}\Omega$
 - Withstanding voltage: 1000V, AC 1 minute
 - Temperature range: $-25^{\circ}\text{C} \sim +85^{\circ}\text{C}$

2. PRODUCT NUMBER CODE:

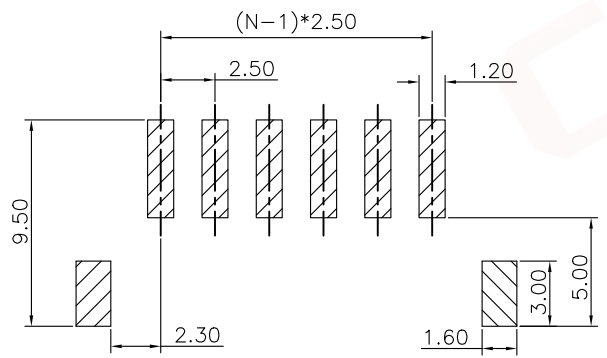


N=No. of contact



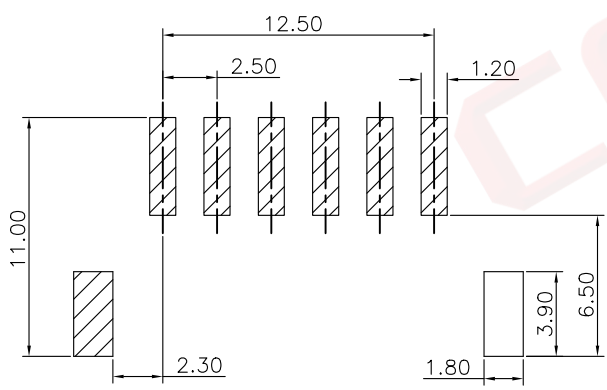
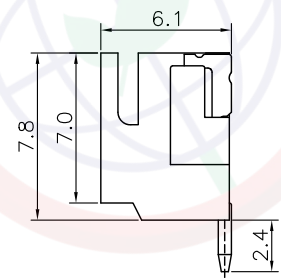
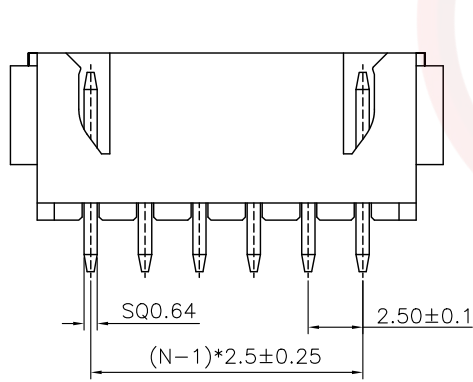
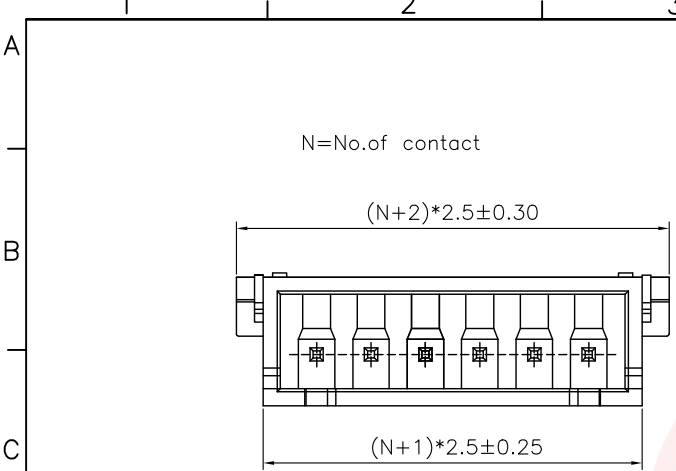
W/ Cap

W/O Cap



RECOMMEND PCB LAYOUT
(TOLERANCE= ± 0.05)

GENERAL TOLERANCE		ANGLE TOLERANCE		PROJECTION		TITLE	2.50mm XH Wafer V/T SMT Type	
X.	± 0.60	X.	$\pm 5^{\circ}$	UNITS	mm	SERIES	DS1069-11	SERIES
.X	± 0.38	.X	$\pm 3^{\circ}$	SHEET SIZE	A4			
.XX	± 0.25	.XX	$\pm 2^{\circ}$					
DRAWING TYPE		CUSTOMER			晨翔电子有限公司 CONNFLY ELECTRONIC CO. LTD			
SCALE		1:1	SHEET	1 OF 2				
DRAWING NO.		C-DS1069-11-XXXXX-A						



REV.	DESCRIPTION	DRAWN	CHECKED	APPROVED
A	NEW RELEASE	JLZ 03/06/17'		

- NOTES:
- MAIN SPECIFICATIONS
 - Housing material: LCP
 - Contact material: Copper Alloy
 - Rated voltage: 250V
 - Rated current: 3A
 - Contact resistance: $\leq 30m\Omega$
 - Insulation resistance: $\geq 1000M\Omega$
 - Withstanding voltage: 1000V,AC 1 minute
 - Temperature range: $-25^{\circ}C \sim +85^{\circ}C$

- PRODUCT NUMBER CODE:
DS1069-11 - X X X X X X
- Packing type
B: Tube
R: Tape on reel
 - Housing Color
V: Ivory
 - Contact Plating
6: Tin
 - Mounting type
R: R/A SMT type
 - Connector type
M: Male
 - No.of contact
2~12

GENERAL TOLERANCE		ANGLE TOLERANCE	
X.	± 0.60	X.	$\pm 5^{\circ}$
.X	± 0.38	.X	$\pm 3^{\circ}$
.XX	± 0.25	.XX	$\pm 2^{\circ}$

DRAWING TYPE	CUSTOMER		
SCALE	1:1	SHEET	2 OF 2
DRAWING NO.	C-DS1069-11-XXXXX-A		

PROJECTION		TITLE
UNITS	mm	2.50mm XH Wafer R/A SMT Type
SHEET SIZE	A4	SERIES DS1069-11 SERIES

晨翔电子有限公司
CONNFLY CONNFLY ELECTRONIC CO. LTD