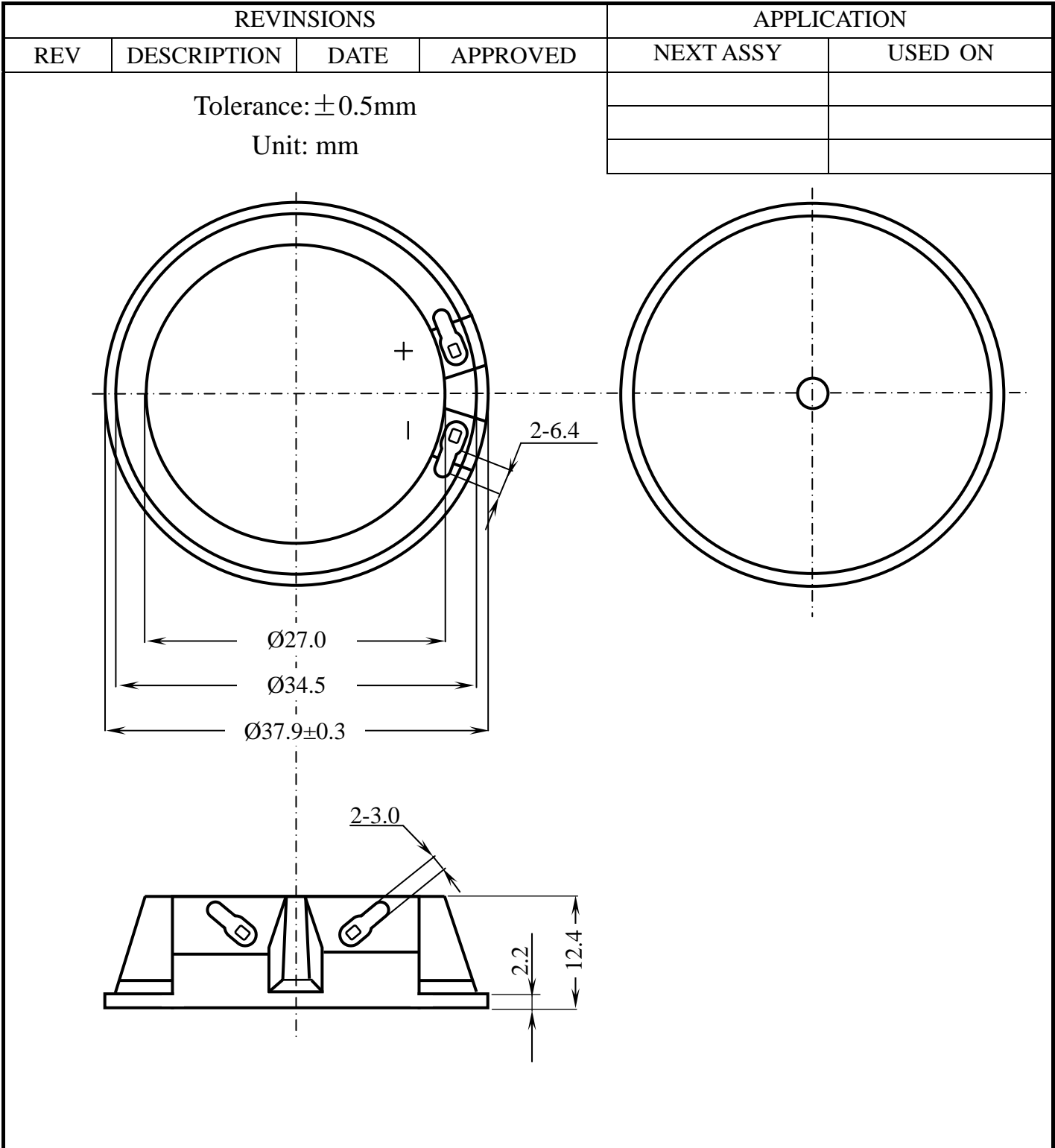


宁波声尔科电子有限公司
NINGBO SANCO ELECTRONICS CO., LTD.

制品规格书 Engineering Laboratory Specification		日期:			
		Date:			
客户: Customer	型号: Part No:	客户型号: Customer No:			
		型号: Part No: EUA-3825			
概述	此确认书仅使用在压电式超声波发音器。				
Scope	This specification is only used for piezo Super-wave intonation.				
编号 No.	项目 Items	规格 Specifications			
1	声音测试额定电压 Rated Noise Power	5.5Vp-p			
2	最大输入电压 Max.Rated Voltage	30Vp-p			
3	额定频率范围 Rated Frequency Range	2.5-50KHz			
4	工作频率 Operating Frequency	25 ± 5KHz			
5	灵敏度 Rated Sensitivity	≥ 100dB/50cm/5.5Vp-p			
6	纸盆材料 paper cone	Paper cone			
备注 Note:					
设计 Designed By	绍辉	查核 Checked	李涛	承认 Approved By	吴绍昌



<p>TOLERANCES UNLESS NOTED OTHERWISE</p> <p>· × ±</p> <p>· ×× ±</p> <p>· ××× ±</p> <p>90° FORMED+2°</p> <p>ANGLES-1°</p>		SIGN	DATE	PART NUMBER		CUSTOMER
	PREP.			EUA-3825		UNIT : MM
	ENG.			REV	DWG NO	CUSTOMER NO.
	QA.			SCALE		SHEET
	PROJ					
CONTRACT NO.:				SANCO		TEL:0574-83851068 FAX:0574-83851096
FIRST ANGLE PROJECTION 						