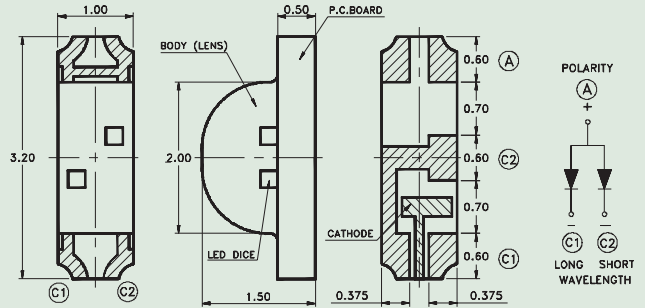
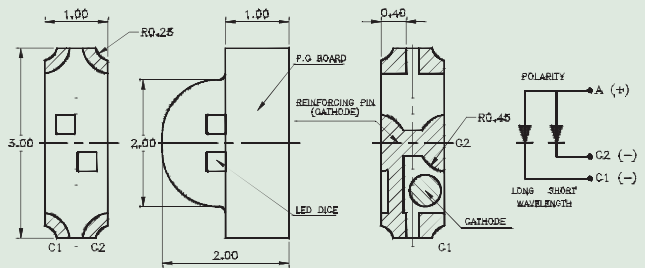


Side View Chip LED Dual-Color 3.2(L) x 1.5(W) x 1.0(H)mm



Part No.	Material	Lens Color	Wd	Viewing Angle $2\theta^{1/2^\circ}$	I _v Typ. @ 20mA	V _F Typ. @ 20mA	Tape and Reel
LTST-S115KGJSKT	Green	Water Clear	571nm	130°	35mcd	2.0V	3,000 pcs per Reel
	Yellow		589nm		75mcd		
LTST-S115KGJRKT	Green	Water Clear	571nm	130°	35mcd	2.0V	3,000 pcs per Reel
	Red		631nm		45mcd		

Side View Chip LED Dual-Color 3.0(L) x 2.0(W) x 1.0(H)mm



Part No.	Material	Lens Color	Wd	Viewing Angle $2\theta^{1/2^\circ}$	I _v Typ. @ 20mA	V _F Typ. @ 20mA	Tape and Reel
LTST-S326KGJSKT	Green	Water Clear	571nm	130°	35mcd	2.0V	3,000 pcs per Reel
	Yellow		589nm		75mcd		
LTST-S326KGJRKT	Green	Water Clear	571nm	130°	35mcd	2.0V	3,000 pcs per Reel
	Red		631nm		45mcd		