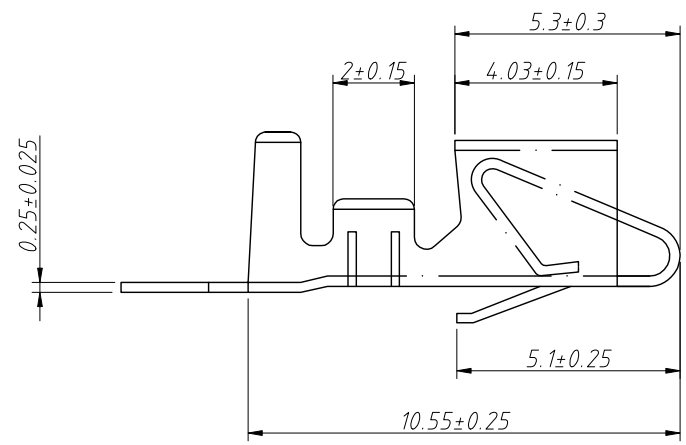
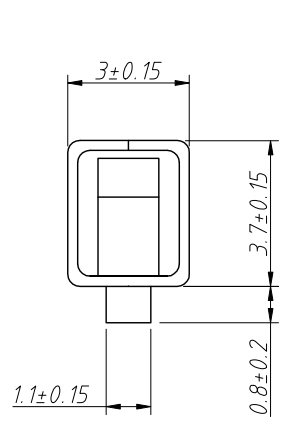


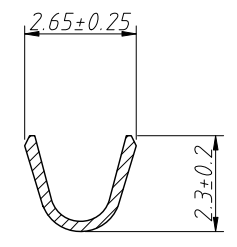
1
RoHS Compliance

7		8	
REV	SYM	Revision Record	Appr.
V0	KLS01109	New Version Release	Song
			Date
			2023-08-14

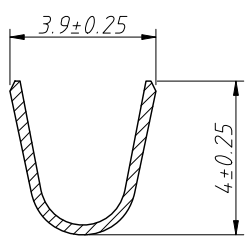
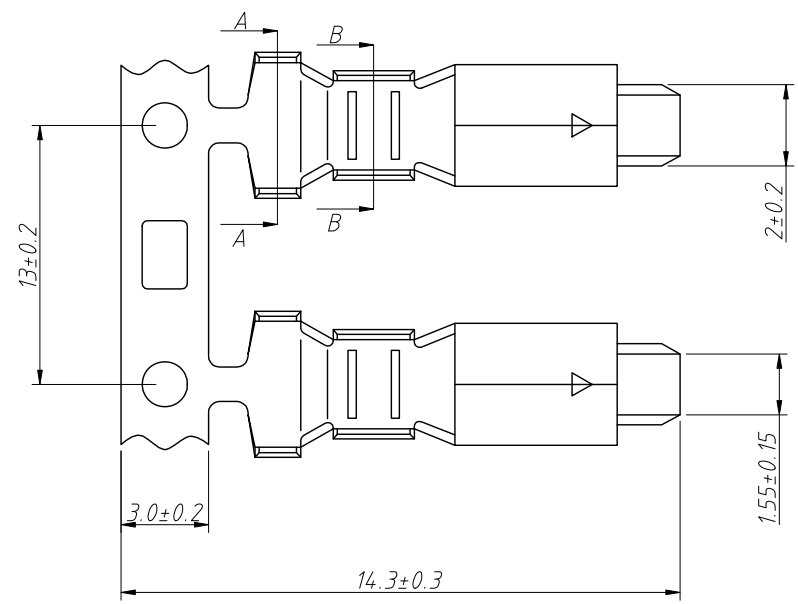


Notes:
1.Material:
Terminal:Phosphor Bronze,QSn6.5-0.1Y,
Tinned antimony

2.Electrical:
Current Rating:7.0A AC,DC
Voltage Rating:250V AC,DC
Temperature Range:-45°C ~ +105°C
Insulation Resistance:1000MΩ Min.
Withstanding Voltage:1500V AC minute
Contact Resistance:20mΩ Max.
Wire Range:AWG#18 ~ #22



Section B-B



Section A-A

Order Information:
L-KLS1-XL1-5.00-T
L: RoHS
Wire To Board
Connector
Pitch:5.00mm
Type:T-Terminal

ANGLE TOLERANCE	PROJECTION	Description:	Terminal
±3°			
GENERAL TOLERANCE	UNITS	mm	KLS P/N: L-KLS1-XL1-5.00-T
x.x ±0.30	SHEET SIZE	A4	NingBo KLS ELECTRONIC CO.,L TD.
x.xx ±0.20	Draw:	Song	
x.xxx ±0.10	Check:	Daniel	