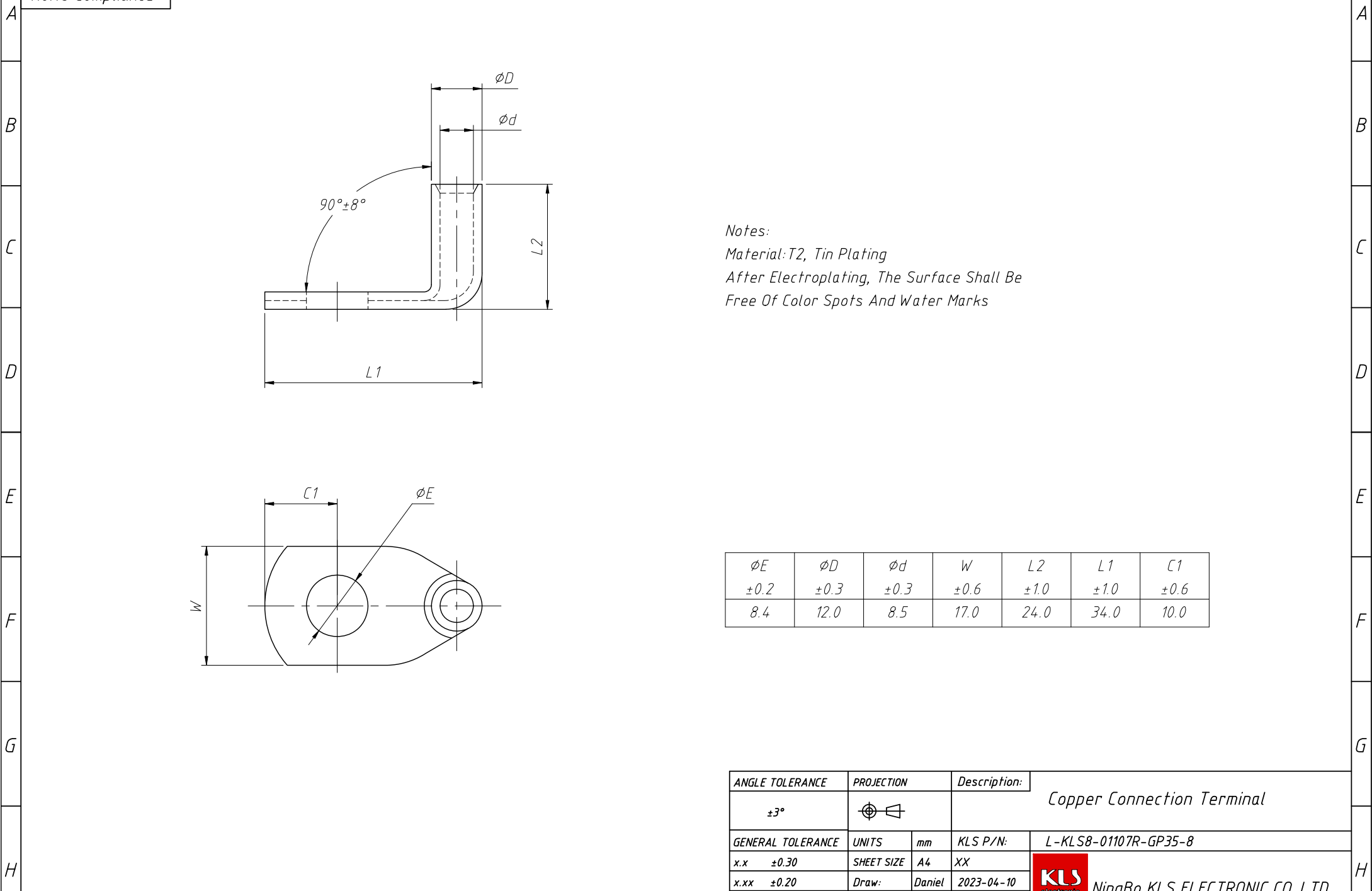


1  
RoHS Compliance

2 3 4 5 6 7 8



Notes:  
Material: T2, Tin Plating  
After Electroplating, The Surface Shall Be  
Free Of Color Spots And Water Marks

$\phi E$	$\phi D$	$\phi d$	W	L2	L1	C1
$\pm 0.2$	$\pm 0.3$	$\pm 0.3$	$\pm 0.6$	$\pm 1.0$	$\pm 1.0$	$\pm 0.6$
8.4	12.0	8.5	17.0	24.0	34.0	10.0

ANGLE TOLERANCE	PROJECTION	Description:	Copper Connection Terminal	
$\pm 3^{\circ}$				
GENERAL TOLERANCE	UNITS	mm	KLS P/N:	L-KLS8-01107R-GP35-8
x.x $\pm 0.30$	SHEET SIZE	A4	XX	NingBo KLS ELECTRONIC CO.,L TD.
x.xx $\pm 0.20$	Draw:	Daniel	2023-04-10	
x.xxx $\pm 0.10$	Check:	Daniel	2023-04-10	

1 2 3 4 5 6 7 8