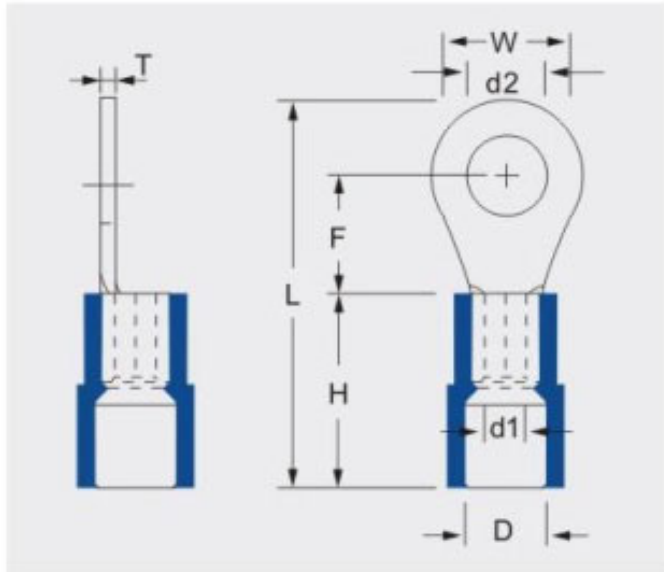


1
RoHS Compliance



Technical requirements:
 Maximum Electrical Rating:600 volts
 Maximum Temperature:105°C
 Terminals Material:Copper
 Plating:Tin plated
 Insulation material:Easy Entry Nylon
 Wire Range:6-10mm²
 AWG:8#
 Max,Current:I_{max}=62A
 Pack:500PCS/Pack

Metric	d2	W	F	L	H	d1	D	T
±0.2	±0.2	±0.2	±1	±0.3	±0.5	±0.3	±0.05	±0.05
8	8.4	15.0	13.8	37.3	16.0	4.5	8.0	1.2

Order Information:
 L-KLS8-01103-RV8.5-8
 L: RoHS
 Circular
 Insulated terminals
 RV8.5-8 Size Type

ANGLE TOLERANCE	PROJECTION	Description:	Nylon-Insulated Ring Terminals	
±3°				
GENERAL TOLERANCE	UNITS	mm	KLS P/N:	L-KLS8-01103-RV8.5-8
x.x ±0.30	SHEET SIZE	A4		
x.xx ±0.20	Draw:	Daniel	2023-03-27	
x.xxx ±0.10	Check:	Daniel	2023-03-27	

NingBo KLS ELECTRONIC CO.,L.TD.