

NSP2340A1EP1

User Guide

The information described in this document is the exclusive intellectual property of Nuvoton Technology Corporation and shall not be reproduced without permission from Nuvoton.

Nuvoton is providing this document only for reference purposes of NSP bases system design. Nuvoton assumes no responsibility for errors or omissions.

All data and specifications are subject to change without notice.

For additional information or questions, please contact: Nuvoton Technology Corporation.

www.nuvoton.com

Table of Contents

1. Overview	3
2. PCB Image and Placement	3
3. Description	5
4. NSP Writer connect to NSP2340A1EP1	6
5. Schematic	6
6. Revision History	7

1. Overview

NSP2340A1EP1 is a tiny demo board with N55PA01 for NSP2080A/2170A/2340A series.

2. PCB Image and Placement

The Figure 1 and Figure 2 show the PCB images of NSP2340A1EP1.

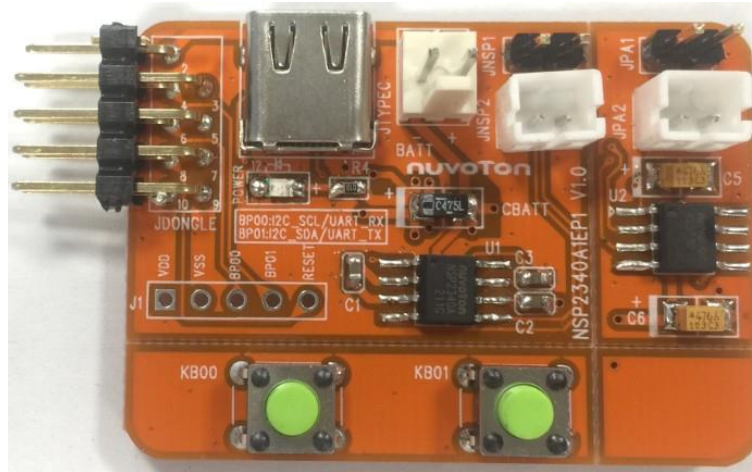


Figure 1. The Top Side

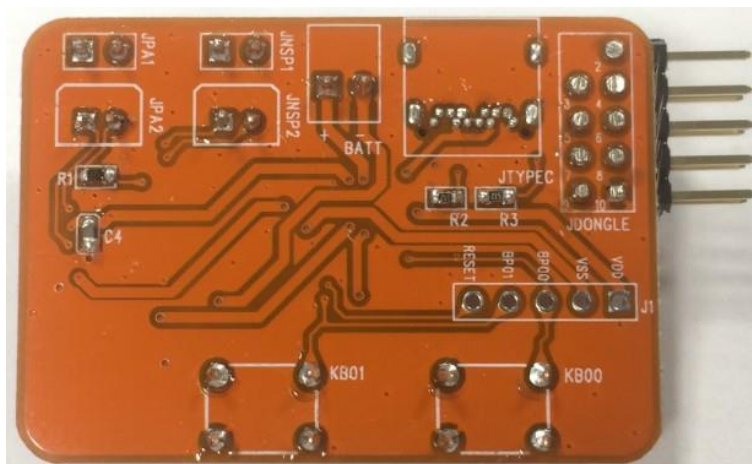


Figure 2. The Bottom Side

The Figure 3 and Figure 4 show the PCB placement of NSP2340A1EP1.

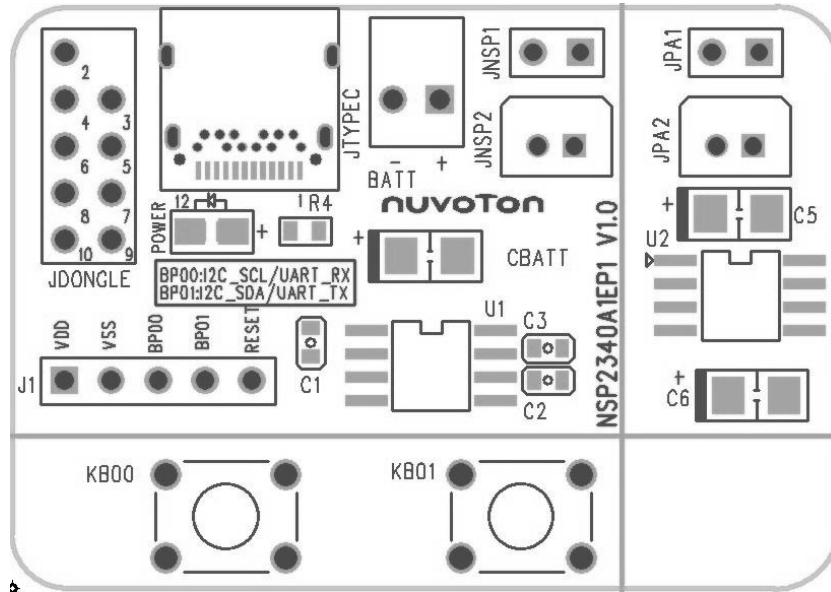


Figure 3. The Top Placement

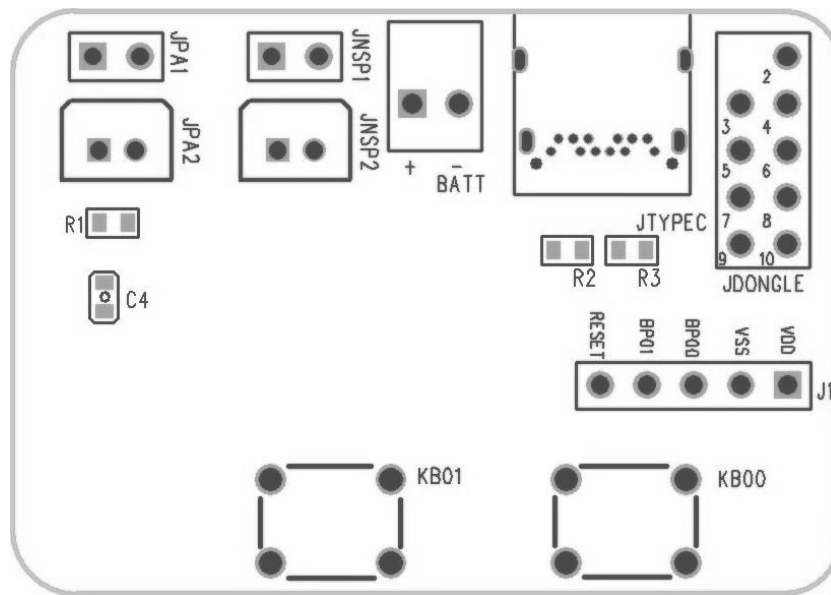


Figure 4. The Bottom Placement

3. Description

- BATT : Power supply input pin. The operating voltage is 2.0V ~ 5.5V.
- JTYPEC : Type-C interface as the power supply of NSP2340A and N55PA01.
- JNSP1, JNSP2 : Speaker output of NSP2340A. (JNSP1 is 2.54mm pinhole, JNSP2 is 2.0 mm pinhole.)
- JPA1, JPA2 : Speaker output of N55PA01. (JPA1 is 2.54mm pinhole, JPA2 is 2.0mm pinhole.)
- C1, C2, C4 : 0.1 μ F
- C3 : Reset de-bounce capacitor. (0.1 μ F, it can be omitted.)
- C5, C6 : 4.7 μ F
- CBATT : 4.7 μ F
- R1 : 43K Ω
- R2, R3 : 5.1K Ω
- R4 : 330 Ω (The resistor needs to be removed when measuring sleep current.)
- POWER : Power LED
- KB00, KB01 : KB00 connect to BP00, KB01 connect to BP01.
- U1 : NSP2340A
- U2 : N55PA01
- JDONGLE : Download the .obj file by NSP Writer.

	3 NC	5 NC	7 NC	9 NC
2 VDD	4 BP01	6 BP00	8 /RESET	10 VSS

- J1 :

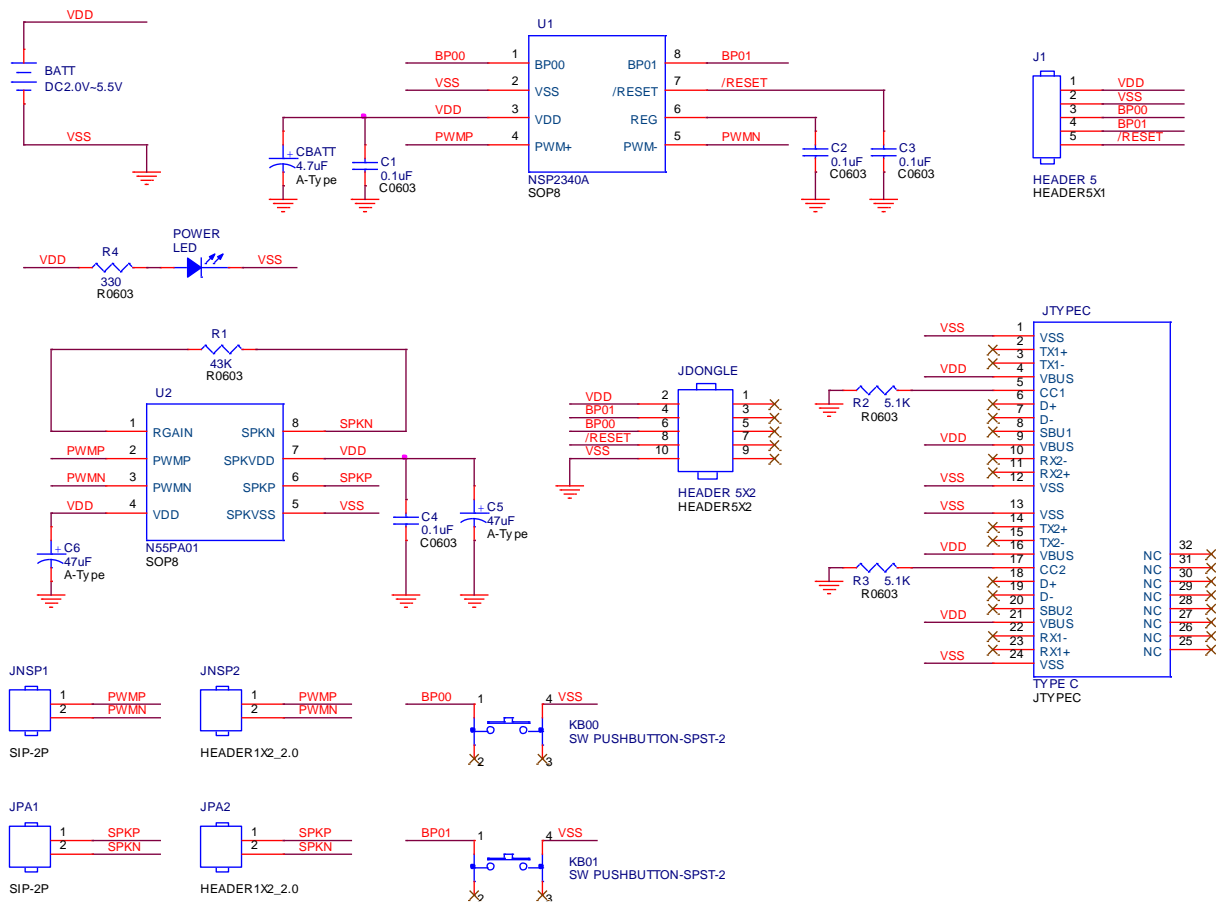
1 VDD	2 VSS	3 BP00	4 BP01	5 /RESET
-----------------	-----------------	------------------	------------------	--------------------

4. NSP Writer connect to NSP2340A1EP1

NSP2340A1EP1 can be controlled through NSP Writer. The connection between the NSP Writer and the board is shown as below.



5. Schematic



6. Revision History

Version	Date	Substantial Changes	Page
1.0	April 2022	Initial Release	All

Important Notice

Nuvoton Products are neither intended nor warranted for usage in systems or equipment, any malfunction or failure of which may cause loss of human life, bodily injury or severe property damage. Such applications are deemed, “Insecure Usage”.

Insecure usage includes, but is not limited to: equipment for surgical implementation, atomic energy control instruments, airplane or spaceship instruments, the control or operation of dynamic, brake or safety systems designed for vehicular use, traffic signal instruments, all types of safety devices, and other applications intended to support or sustain life.

All Insecure Usage shall be made at customer’s risk, and in the event that third parties lay claims to Nuvoton as a result of customer’s Insecure Usage, customer shall indemnify the damages and liabilities thus incurred by Nuvoton.

*Please note that all data and specifications are subject to change without notice.
All the trademarks of products and companies mentioned in this datasheet belong to their respective owners.*