

CS Series 4-way Adjustable Direction Switch



Features/Benefits

- Designed for mirror control
- Wire harness and connector easy to customize
- 4-way adjustable directions

Typical Applications

- Automotive
- Industrial

Specifications

CONTACT RATING: 0.2 A @ 12 VDC
 OPERATING LIFE: 10,000 cycles
 INSULATION RESISTANCE: 10 M Ω min. @ 500 VDC
 DIELECTRIC STRENGTH: 500 V AC
 OPERATING TEMPERATURE: -40°C to +90°C
 OPERATING FORCE: L- OFF, R-OFF; 200 \pm 100 gf
 OFF-L, OFF-R; 400 \pm 200 gf
 4 Direction; 500 \pm 200 gf

Materials

KNOB: ABS
 COVER: ABS
 TERMINAL: Brass, tin plated

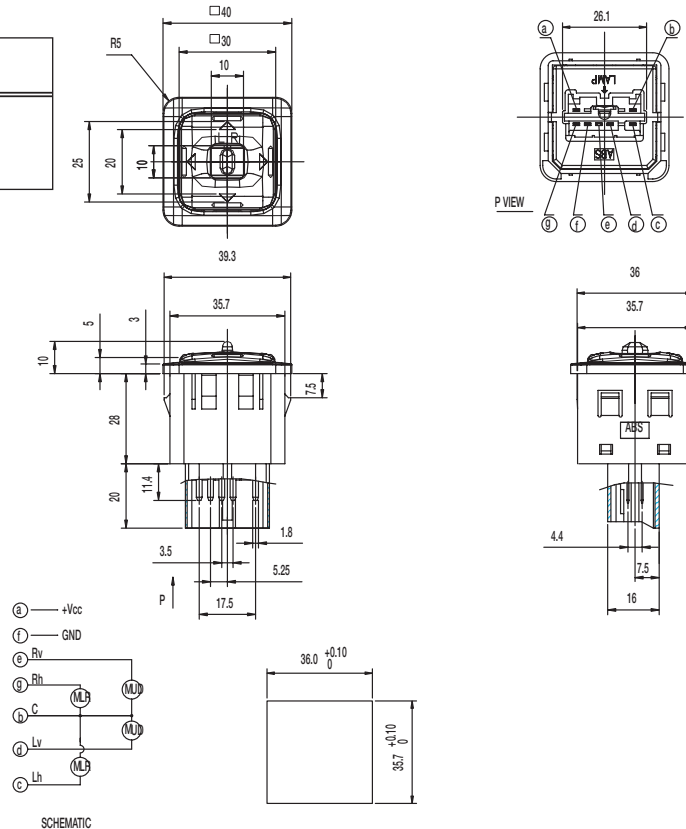
NOTE: Specifications and materials listed above are for switches with standard options. For information on specific and custom switches, consult Customer Service Center.

How To Order

Part number list is shown below.

Part Number (Part Description)	Product Details
CS-41001-E	4 directions switch with selector slide switch

PART NUMBER	PACKAGING
CS-41001-E	256 pieces



Dimensions are shown: mm
 Specifications and dimensions subject to change

